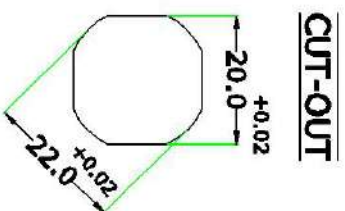
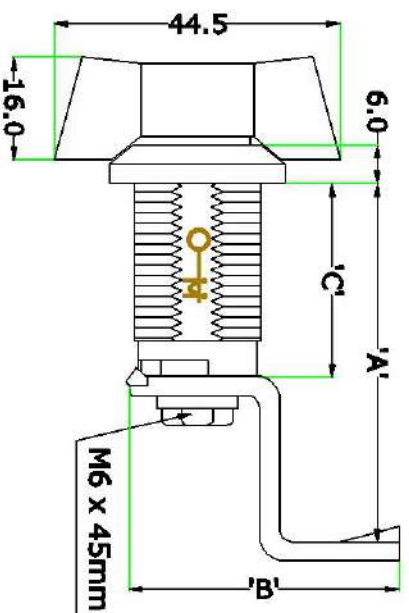
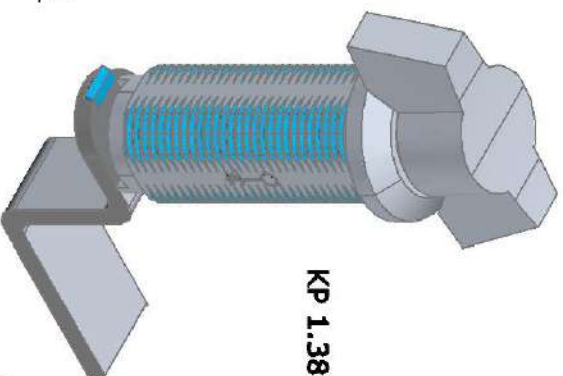


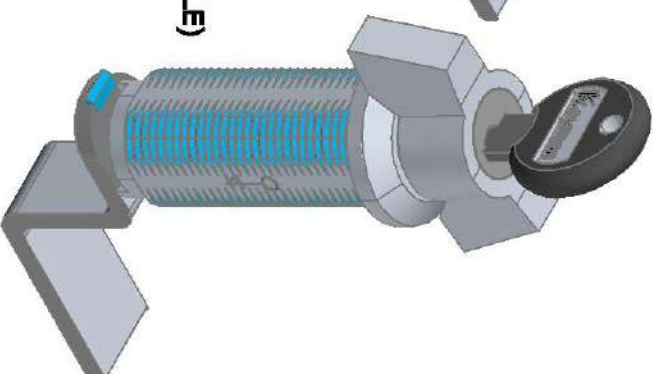
ALL DIMENSIONS IN MM



KP 1.38 (NON LOCKABLE)



KP 1.39 (LOCKABLE)



(WASHER THICKNESS.) : 3.0mm
 (D) : WIDTH OF THE LEVER.
 APPLICATION DRAWING FOR MODEL
 NO. KP 1.38 & 1.39
 (ZINC KNOB LOCK 50MM)

PA - 33

KP/LL NO	(A)	(B)	(C)	(D)
1	46	42	50	18
2	50	40	50	16
3	50	54	50	19
4	50	56	50	18
5	50	62	50	18
6	50	70	50	18
7	50	75	50	18
8	50	83	50	16
9	52	54	50	19
10	52	62	50	18
11	57	53	50	18
12	57	60	50	18
13	59	58	50	18
14	62	55	50	18
15	64	52	50	18
16	68	50	50	18
17	71	53	50	18
18	73	56	50	18
19	73	50	50	18
20	76	54	50	18
21	76	50	50	16
22	79	54	50	18
23	86	55	50	16
24	64	46	50	18



ALL RIGHTS RESERVED IN FAVOUR
 OF KEYMAN LOCKING DEVICES
 YEAR : 2018