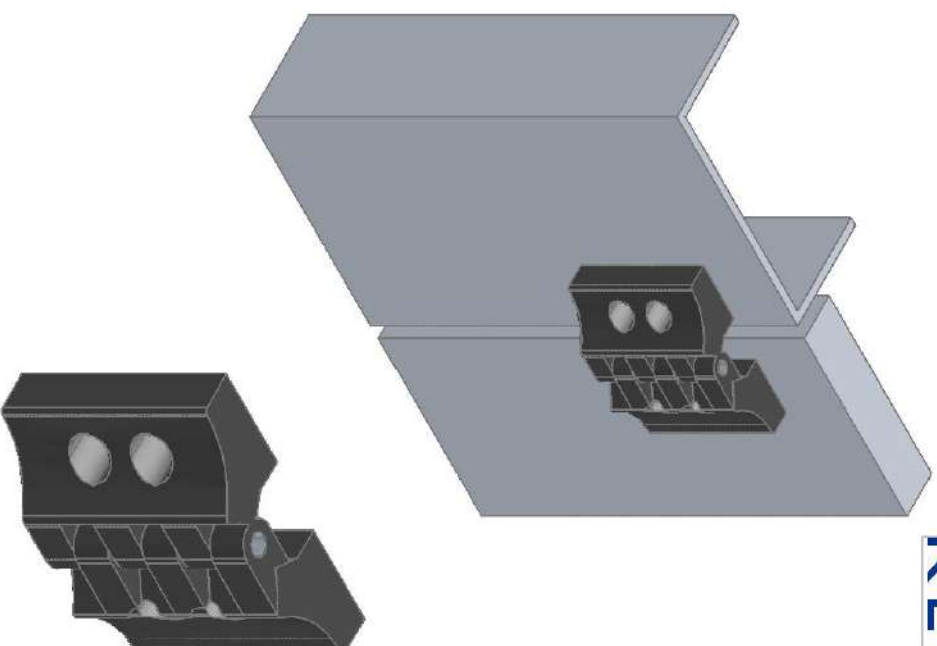
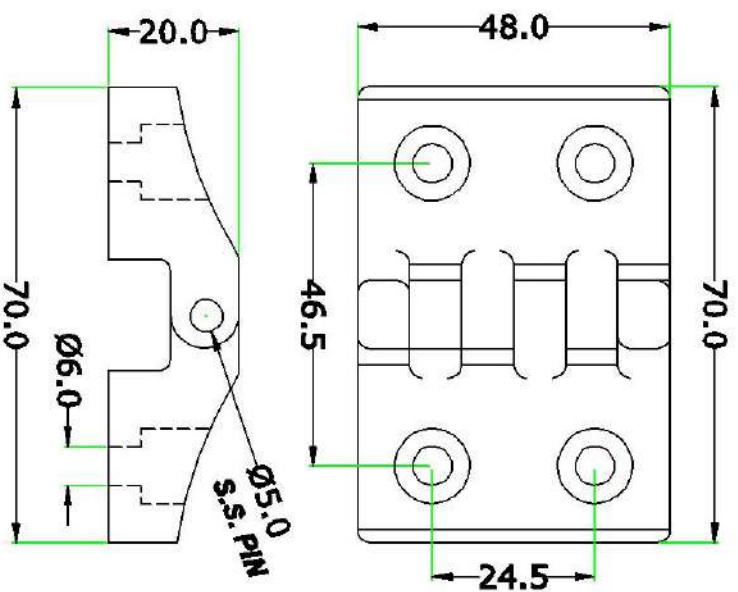


ALL DIMENSIONS IN MM



  
KEYMAN

APPLICATION DRAWING FOR MODEL  
NO. KP 20.2 S/S (NYLON SHOE HINGE)

PC - 17



ALL RIGHTS RESERVED IN FAVOUR  
OF KEYMAN LOCKING DEVICES  
YEAR : 2019