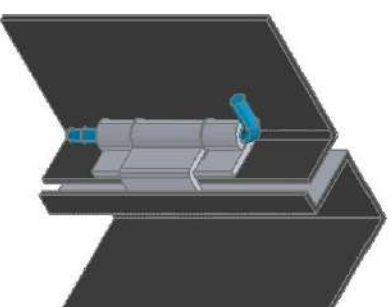
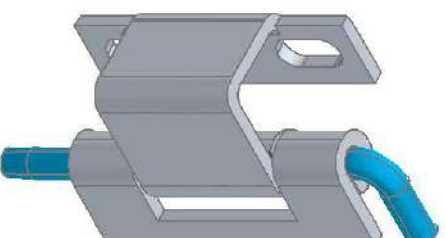
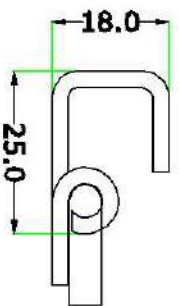
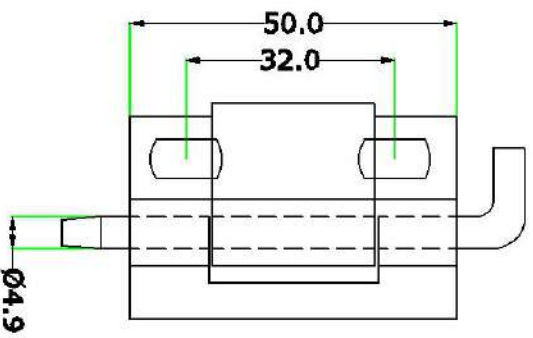


ALL DIMENSIONS IN MM



APPLICATION DRAWING FOR MODEL  
NO. KP 11.7 2520 U 2H (M.S HINGE)



ALL RIGHTS RESERVED IN FAVOUR  
OF KEYMAN LOCKING DEVICES  
YEAR : 2018

PC - 20