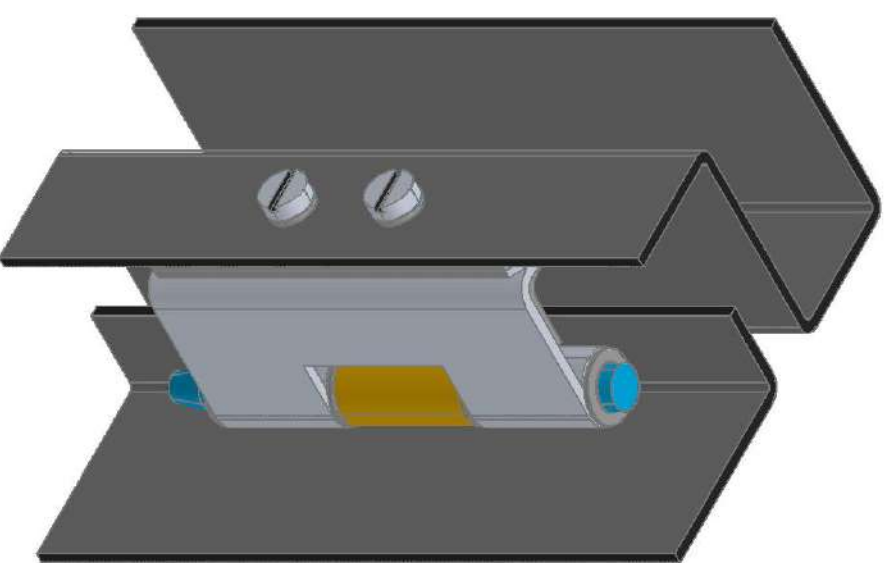
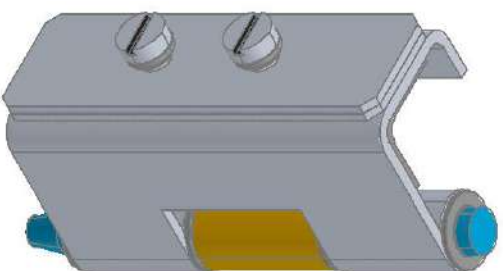
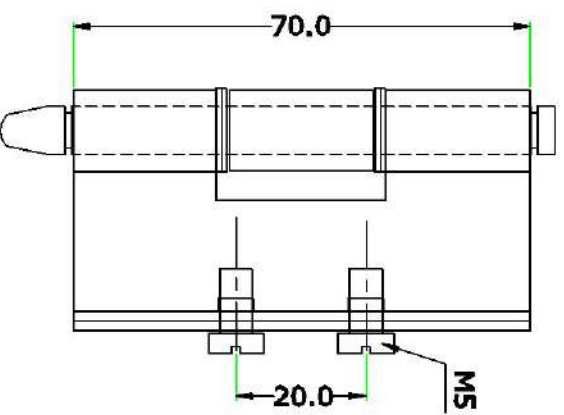
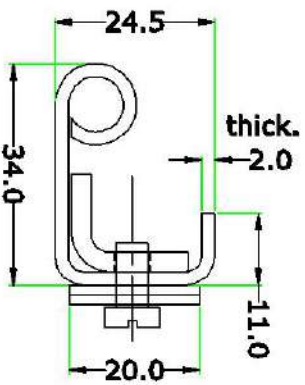


ALL DIMENSIONS IN MM



APPLICATION DRAWING FOR MODEL  
NO. KP 11.8 7034 2H ( M.S HINGE )

PC - 21



ALL RIGHTS RESERVED IN FAVOUR  
OF KEYMAN LOCKING DEVICES  
YEAR : 2018