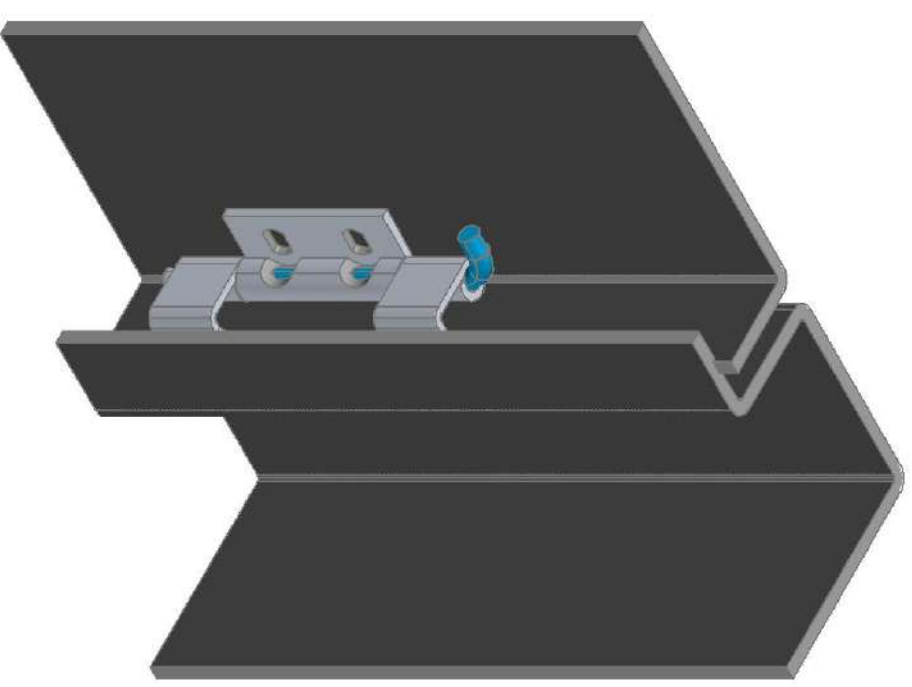
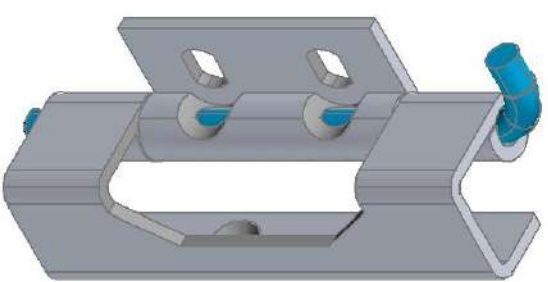
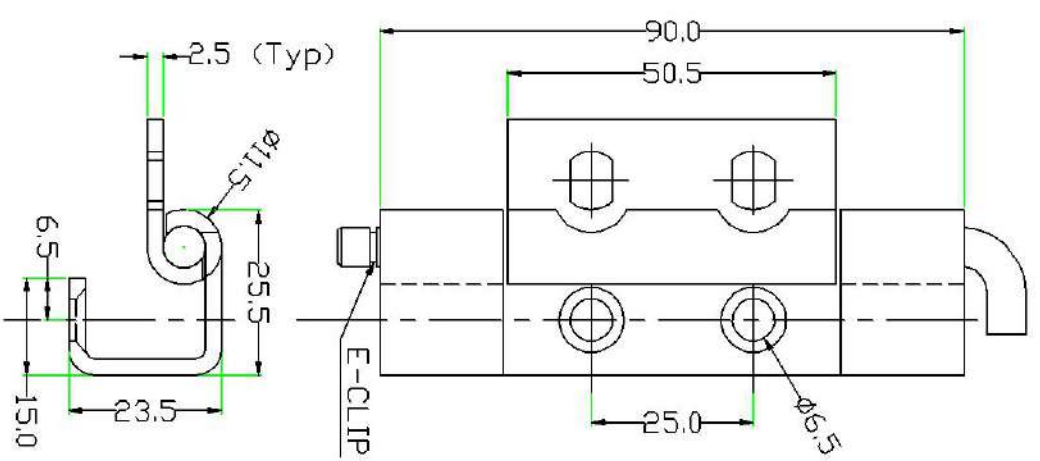


ALL DIMENSIONS IN MM



APPLICATION DRAWING FOR MODEL NO.
KP 11.10 M90\S90 (M.S \ S.S HINGE)

ALL RIGHTS RESERVED IN FAVOUR
OF KEYMAN LOCKING DEVICES
KEYMAN
YEAR : 2018

PC - 24