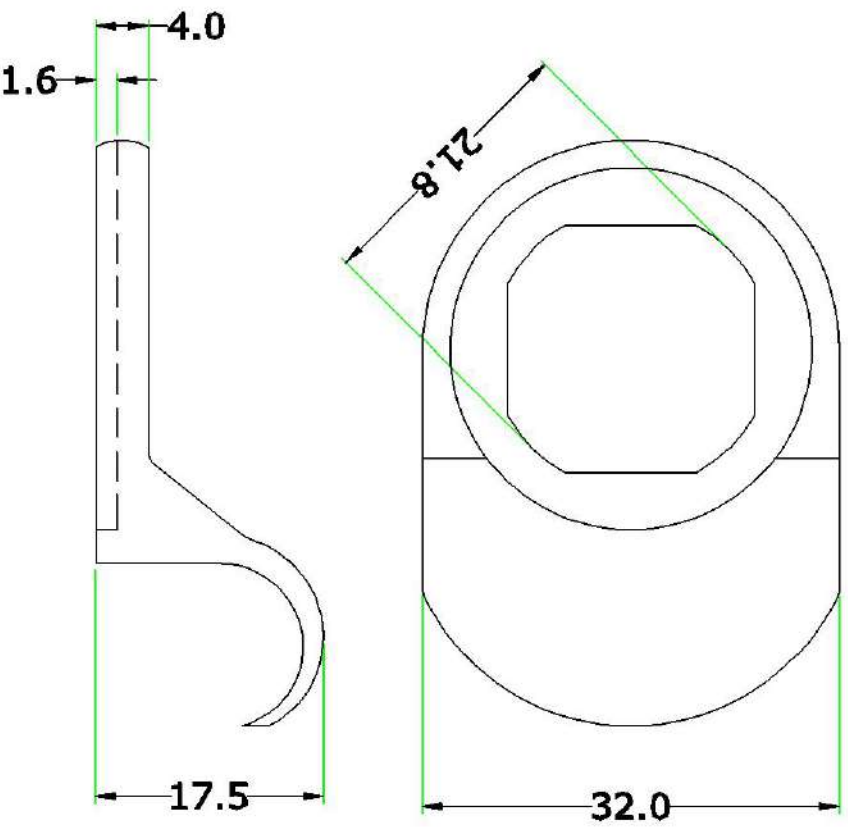


ALL DIMENSIONS IN MM



APPLICATION DRAWING FOR MODEL  
NO. KP 17 (PANEL LOCK FINGER)

**PF - 07**